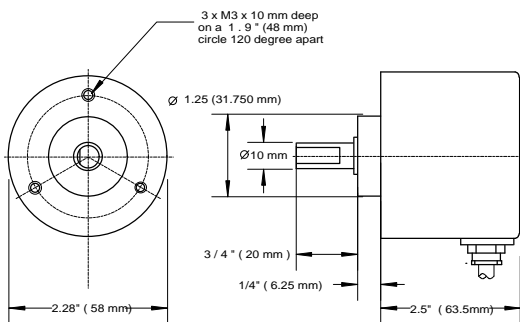


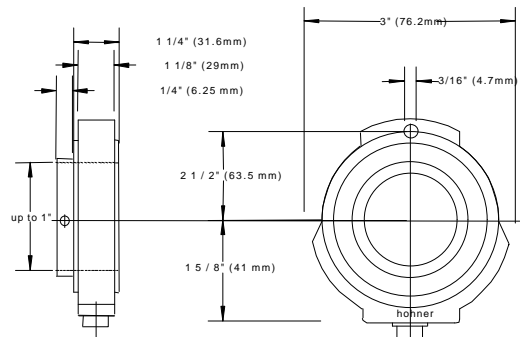
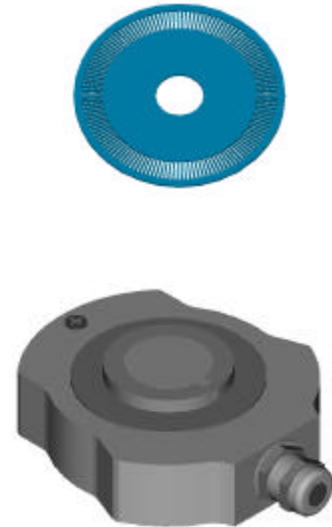
Absolute multiturn encoder

Part Number: 0310 – 5500 – 1209



Incremental encoder

Part Number : 8505 - 5100 - 1024



File No. E198887



Technical Specifications :

- Weight : 17 oz (0.4kg)
- Protection : IP 54, NEMA 3
- Torque : 0.4 oz/in (3 N-cm)
- Speed : 3000 RPM max.
- Capacity : 12 + 12 bits incremental
12 + 9 bits absolute
- Op. temp. : - 20 ...+ 60 deg. C
- 4 ...+140 deg. F
- USB powered.

